



ARioonet Telecom

[www.arioonet.com](http://www.arioonet.com)



## AR-SW8P-GE



port description	7poe+1uplink
Bandwidth	8*10/100/1000
Switch class	manage/unmanage
Poe	7port
standard	IEEE802.3af/at
Power	220V AC - 48V DC

## AR-SW8P-2G



port description	8poe+2uplink
Bandwidth	8*10/100/1000
Switch class	manage/unmanage
Poe	8port
standard	IEEE802.3af/at
Power	220V AC - 48V DC

## AR-SW16P-G2S



port description	16poe+2Sfp
Bandwidth	16*10/100/1000
Switch class	manage/unmanage
Poe	16port
standard	IEEE802.3af/at
Power	220V AC - 48V DC

## AR-SW24P-G2S



port description	24poe+2Sfp
Bandwidth	24*10/100/1000
Switch class	manage/unmanage
Poe	24port
standard	IEEE802.3af/at
Power	220V AC - 48V DC





AR-SWN820



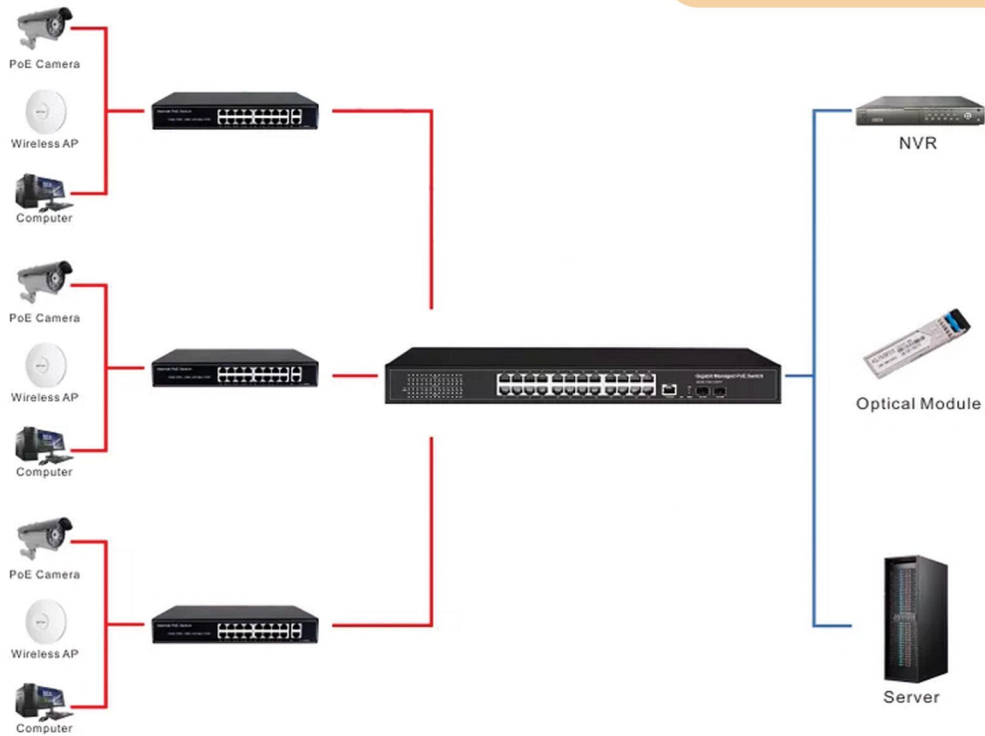
port description	8poe+2Sfp+1console
Bandwidth	8*10/100/1000
Switch class	manage-industrial
Poe	8port
standard	IEEE802.3af/at
Power	220V AC - 48V DC

AR-SW24P-410G



port description	24poe+4Sfp+1console
Bandwidth	24*10/100/1000
Switch class	Manage
Poe	24port
standard	IEEE802.3af/at
Power	220V AC - 48V DC

کاربرد (Application)





## AR-P410



port description	8E1 Interface+4 Gigabit Ethernet+2Port Sfp
Power	AC 180v-260v , DC -48V , DC +24V
E1 Impedance standard	75Ω (unbalance) , 120Ω (balance) IEEE 802.3, IEEE 802.1Q (VLAN)
Connector	RJ45, support Auto-MDIX

## AR-P310



port description	8E1 Interface+4 Fast Ethernet+ 2Port Sfp+1Phone+1Console
Power	AC 180v-260v , DC -48V , DC +24V
E1 Impedance standard	75Ω (unbalance) , 120Ω (balance) IEEE 802.3, IEEE 802.1Q (VLAN)
Connector	RJ45, support Auto-MDIX

## AR-P420 (AR-P16E1-4G)



port description	16E1 Interface+4 Gigabit Ethernet+2Port Sfp
Power	AC 180v-260v , DC -48V , DC +24V
E1 Impedance standard	75Ω (unbalance) , 120Ω (balance) IEEE 802.3, IEEE 802.1Q (VLAN)
Connector	RJ45, support Auto-MDIX

## AR-P320 (AR-P16E1-4F)

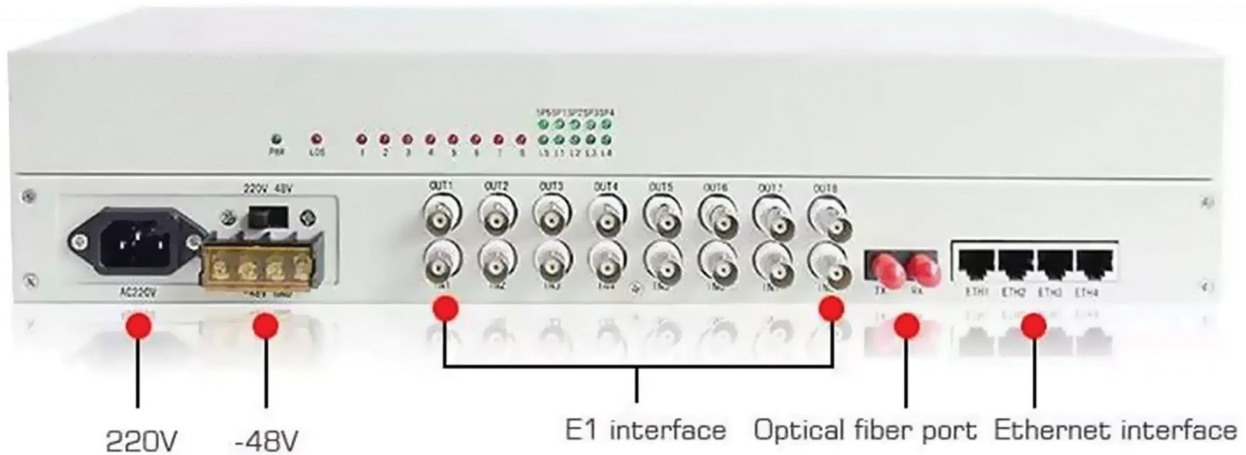


port description	16E1 Interface+4 Fast Ethernet+ 2Port Sfp+1Consol+1EMU
Power	AC 180v-260v , DC -48V , DC +24V
E1 Impedance standard	75Ω (unbalance) , 120Ω (balance) IEEE 802.3, IEEE 802.1Q (VLAN)
Connector	RJ45, support Auto-MDIX

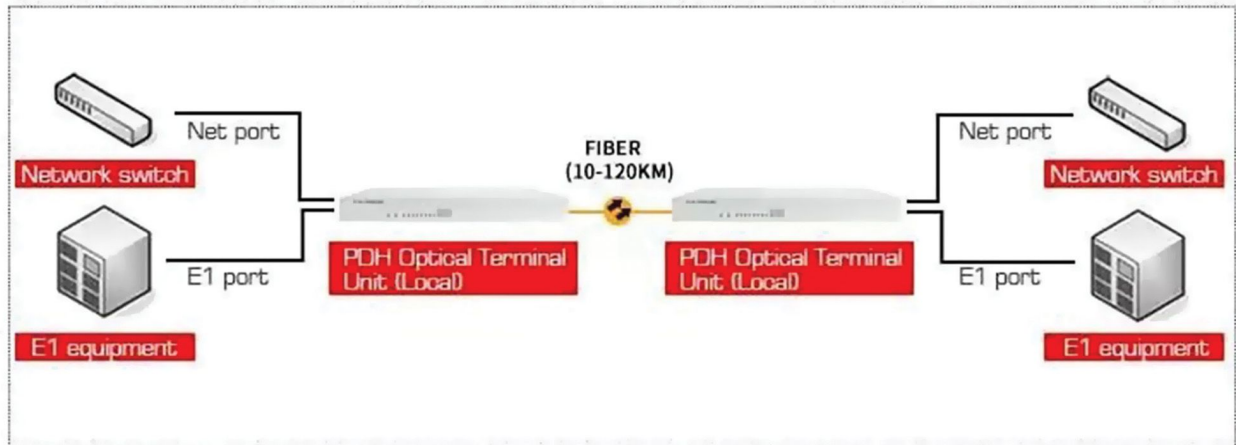




کاربرد (Application)



Application Plan



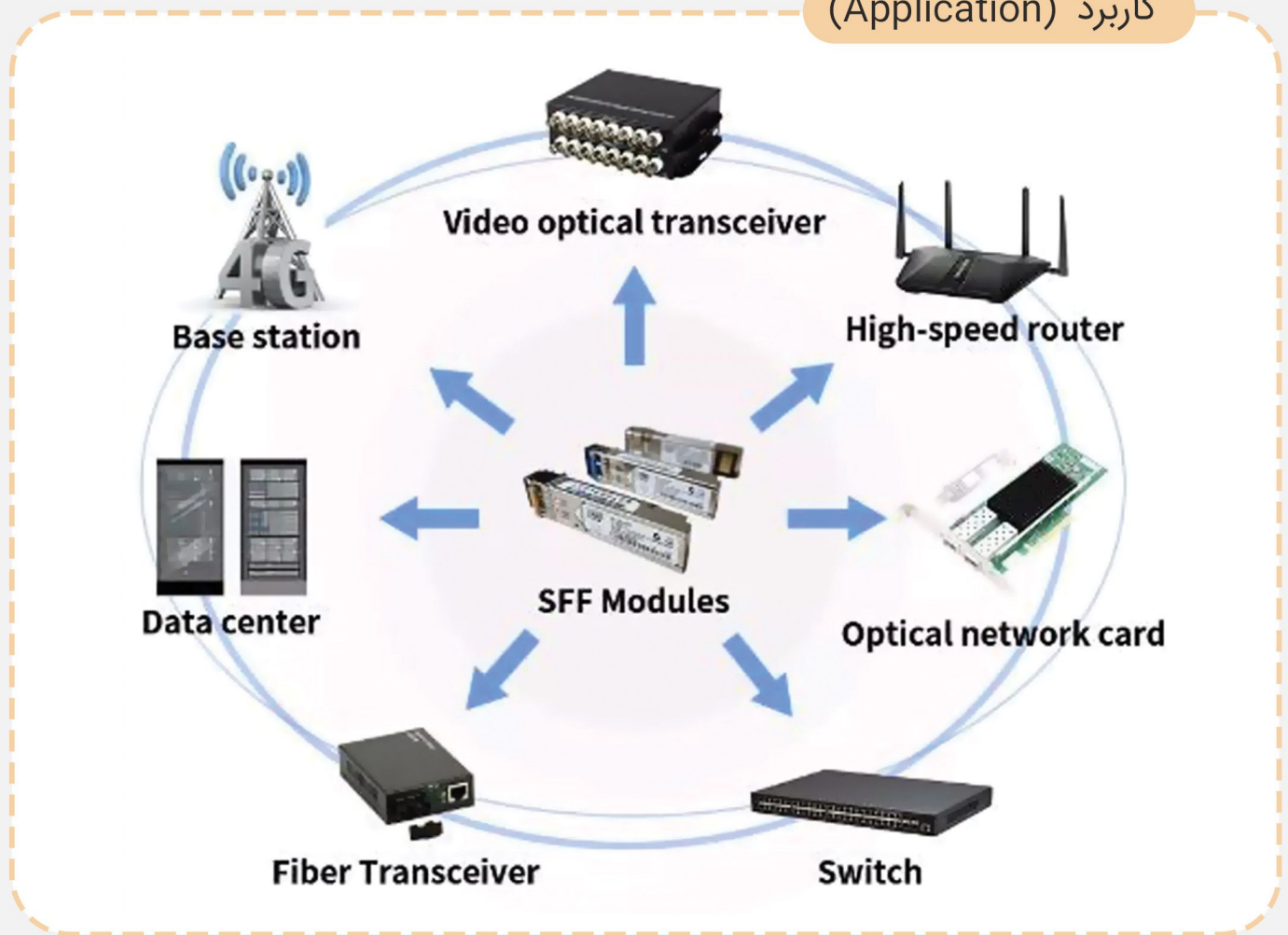


Small Form-Factor Pluggable



Types Of	SFP/SFP+/CWDM/DWDM/QSFP/COPPER
Distance	300M-200KM
Data Rate	155MB-40G
Compatible With	All Brand
Operating Temperature	-20 to 70°C
Connector	LC/SC/FC-RJ45-bidi

کاربرد (Application)





### AR-M1000



port description	1port ethernet +1port sfp
Bandwidth	10/100/1000 MB/S
Power	AC100~265V 50/60Hz / DC 5V 1A
Transmit Distance	550M-120KM
Wavelength	850nm/1310nm/1550nm
Standard	IEEE802.3u 1000Base-TX and 1000Base-FX

### AR-SM1000



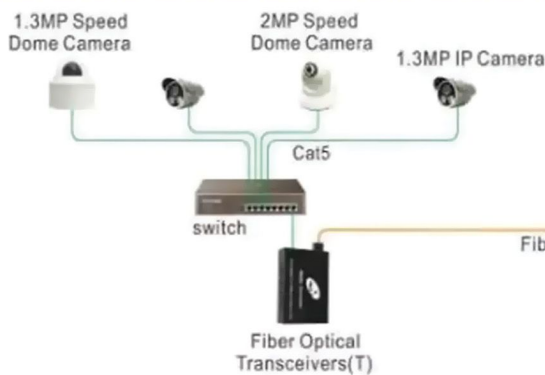
Port description	1port ethernet +1port sfp
Bandwidth	10/100/1000 MB/S
Power	220V-AC OR 48V-DC±5%
Transmit Distance	550M-120KM
Wavelength	850nm/1310nm/1550nm
Standard	IEEE802.3u 1000Base-TX and 1000Base-FX

### AR-402S



Port description	4port ethernet +2port sfp
Bandwidth	10/100/1000 MB/S
Power	AC220V(100-240V),50~60Hz DC: 5V,2A
Transmit Distance	550M-120KM
Wavelength	850nm/1310nm/1550nm
Standard	IEEE802.3z/AB, 10/100/1000Base-T and 1000Base-SX/LX

### کاربرد (Application)





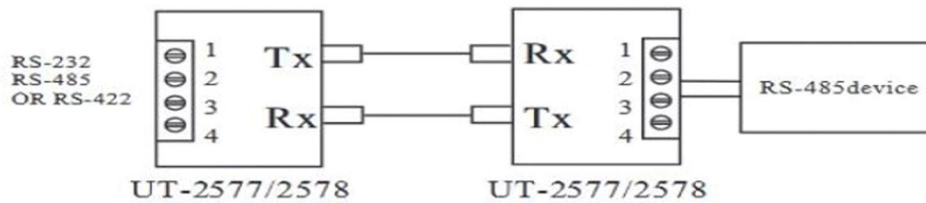
### AR-1000RS



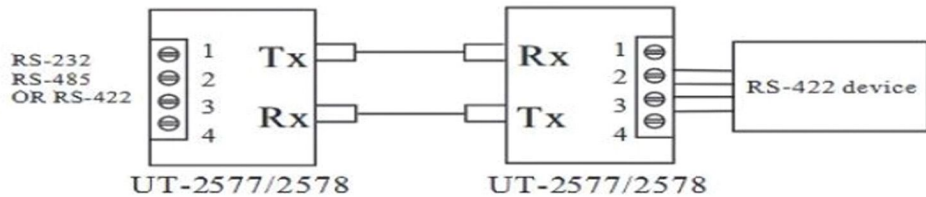
port description	1RJ45+1RS 232/485
Protocols Supportable	TCP, UDP, APR, ICMP and TELNET
Processing	M CPU 200
Supportable path length	RS-485/422 1200 m, RS-232 port 15 m
Power	9~24V

### کاربرد (Application)

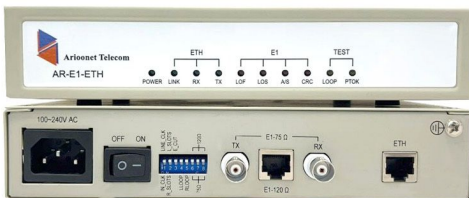
#### 1. Point-to-point half duplex



#### 2. Point-to-point full duplex



### AR-E1-ETH



Port Description	1*E1+1*Eth
Connector	BNC , RJ45
E1 impedance standard	75 Ω and 120 Ω
Power	IEEE 802.1Q (VLAN) AC: 220V or DC:48V







### AR-FS4P2E



port description	4*RJ11+2*RJ45
Device Description	FXO/FXS-Over Fiber
Input/output	220V AC-48V DC
power	
support	caller ID porotocol,Rackmount model U3/2

### AR-FS16P4E



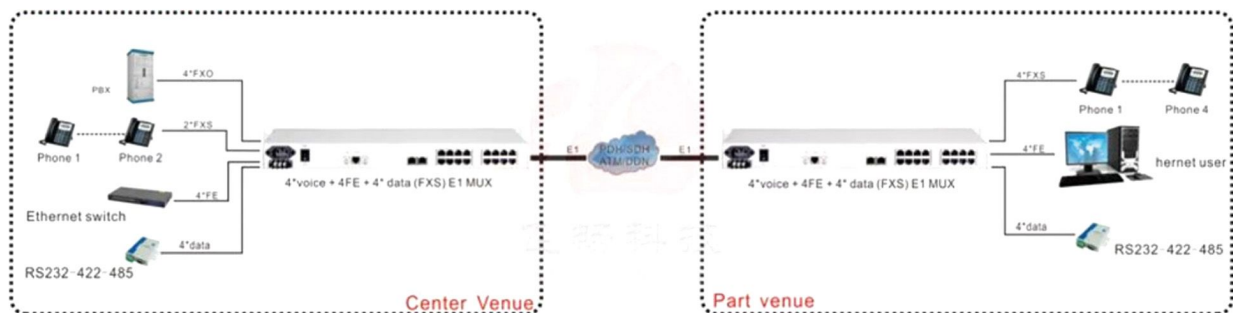
port description	16*RJ11+4*RJ45+2*Fiber
Device Description	FXO/FXS-Over Fiber
Input/output	220V AC-48V DC
power	
support	caller ID porotocol,Rackmount model U3/2

### AR-FS324E



port description	32*RJ11+4*RJ45+2*Fiber
Device Description	FXO/FXS-Over Fiber
Input/output	220V AC-48V DC
power	
support	caller ID porotocol,Rackmount model U3/2

### کاربرد (Application)





## AR-DC4200



Service slot	4 slots (network card is optional for one of the slots)
Maximum Channel	12
Dimension	1U
Network Topology	Point to point, chain type, star type, ring type

## AR-DC5800



Service slot	8 slots (network card is optional for one of the slots)
Maximum Channel	30
Dimension	2U
Network Topology	Point to point, chain type, star type, ring type

## Passive CWDM/DWDM



Channel No.	Channel	Pigtail Type	Fiber length	Dimensio(mm)	Connector
04=4 Channel	27=1270nm				0=None
08=8 Channel	47=1470nm	0=250um	1=1m	1=L100 x W80 xH10	1=FC/APC
16=16 Channel	49=1490nm...	1=900um	2=1.5m	2=L120xW80xH18	2=FC/PC
18=18 Channel	...	2=2.0mm	3=others	3=19 1U Rack	3=SC/APC
...	61=1610nm	3=3.0mm			4=SC/PC
n=n Channel	SS=special...				5=other

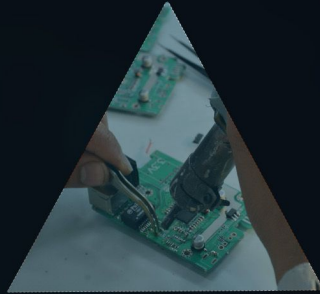




شرکت "گسترش کاربرد فناوری" که در سال ۱۳۸۴ بصورت سهامی خاص تاسیس گردیده، با بیش از یک دهه فعالیت مستمر و پویا، هم اکنون در زمره شرکتهای برتر مخابراتی و ارتباطی شناخته می شود، ساختار مدیریتی این مجموعه همواره در تلاش بوده است که بصورت پویا و نظاممند، در توسعه و تعالی زیرساختهای ارتباطی ایفای نقش نماید و با اتکا به دانش و تجربه نیروی انسانی خود در راستای تحقق اهدافی چون توسعه ارتباطات و فناوری های نوین ارتباطی گام بردارد.

ARioonet telecom Technologies is a national high-tech enterprise. As the best manufacturer for intelligent optical transmission in Iran /Turkey, with world-class leading optical technology. ARioonet focus on optical transmission industry over 18 years, combining research, manufacture, sales and services for network and Optical transmission products. Headquartered in Iran - Yasouj industrial complete, more than 2500 square meters plant and set up R&D in the Yasouj science and technology park. ARioonet products are exported to over 5 countries. ARioonet distributions centers and offices are providing high-quality products, outstanding service, and advanced overall solutions.





[sale@arioonet.com](mailto:sale@arioonet.com)



021-91090406 - 09177433046